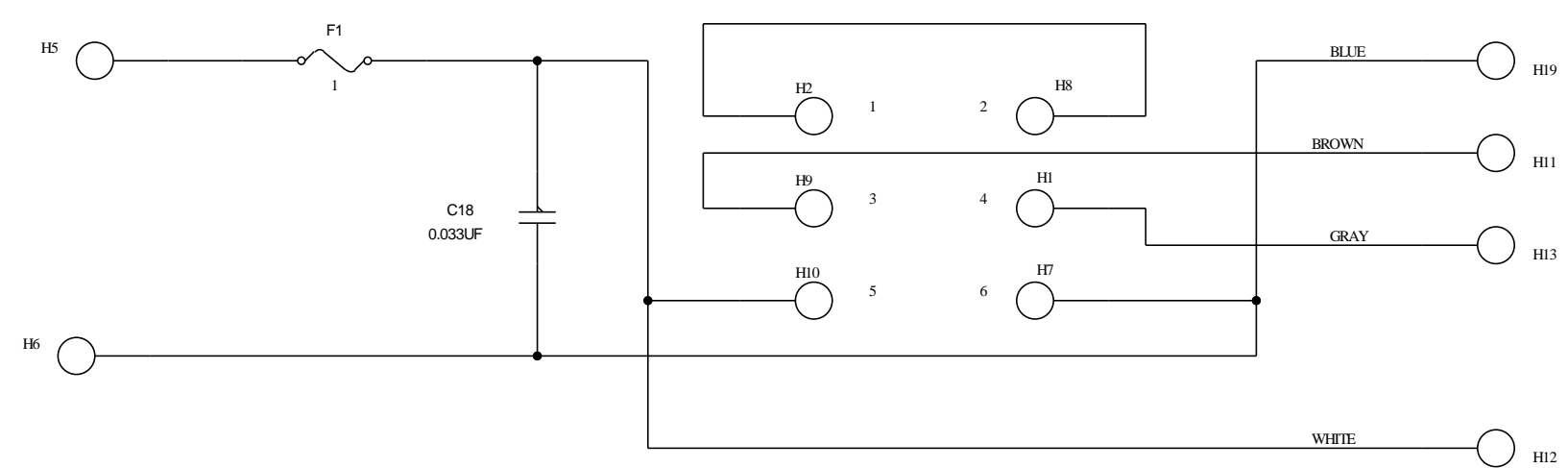
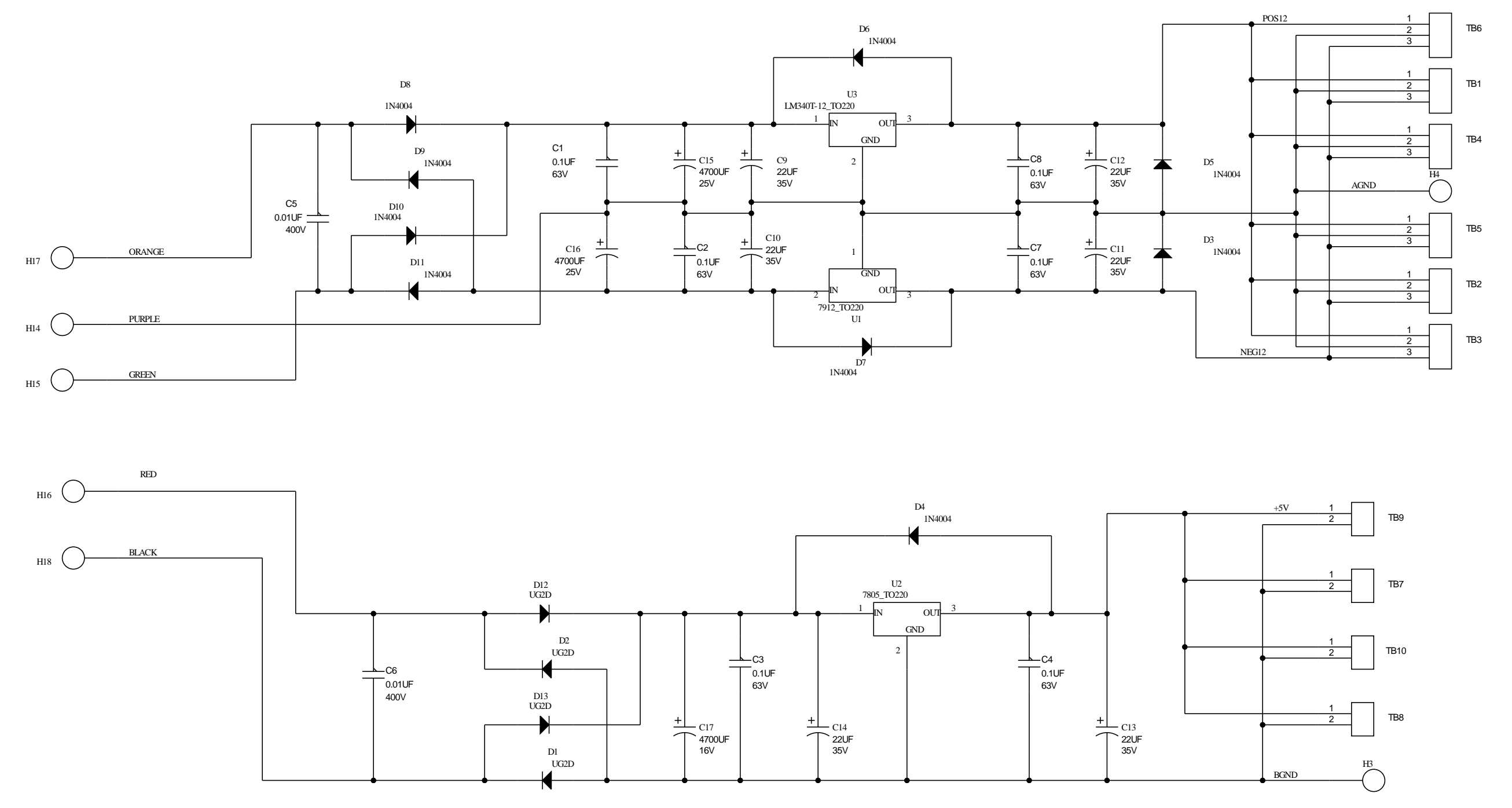


REVISION HISTORY			
DATE	REV	ECO#	COMMENT



FOR 120VAC OPERATION JUMPER 3-5 & 4-6  
 FOR 240VAC OPERATION JUMPER 1-3 & 2-4



Akitika LLC 2732 Tammerack Lane Copyright 2014, 2015, All Rights Reserved Owens Crossroads, AL 35763	
TITLE <b>PREAMP POWERSUPPLY</b>	
DRAWN BY: <b>STEVE KEELE</b> ENGINEER: <b>DAN JOFFE</b>	
SIZE <b>D</b>	DRAWING NUMBER <b>POWERSUPPLY_REVC1</b>
DATE: 11-1-2014_16:38 SHEET 1 OF 1	