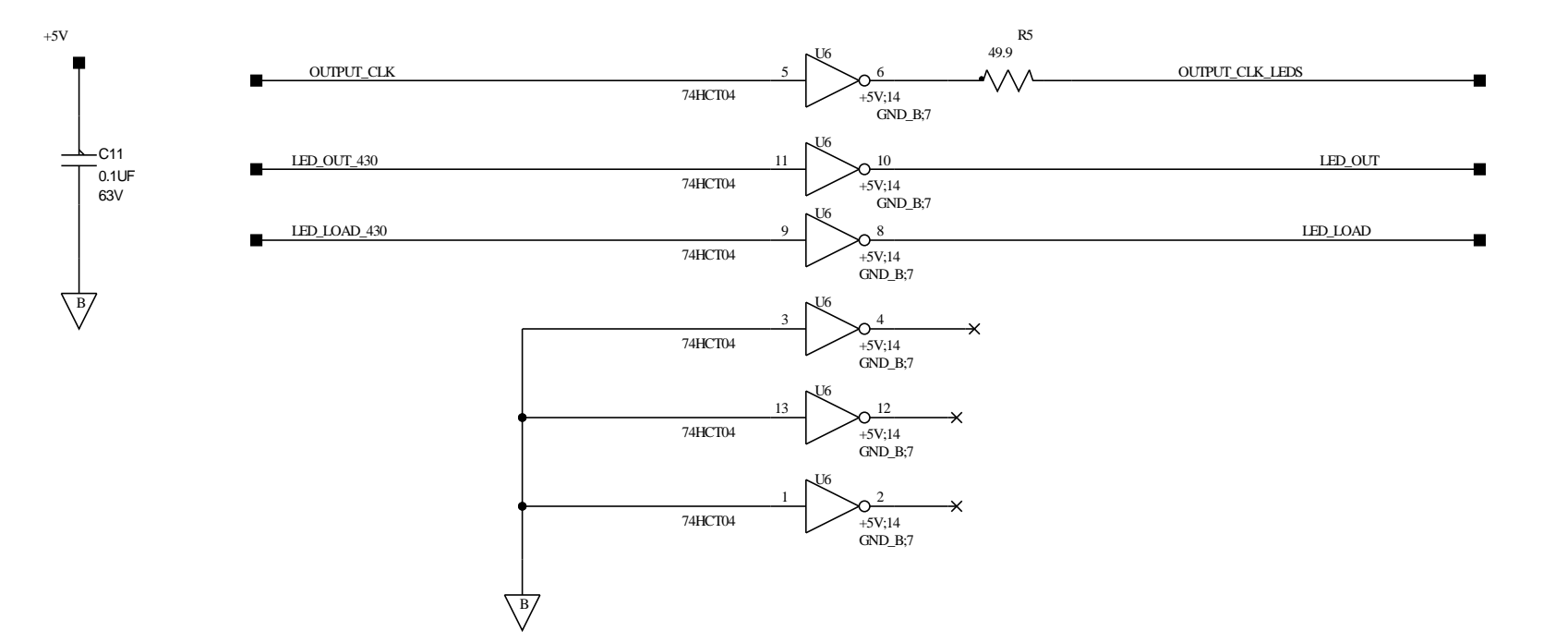
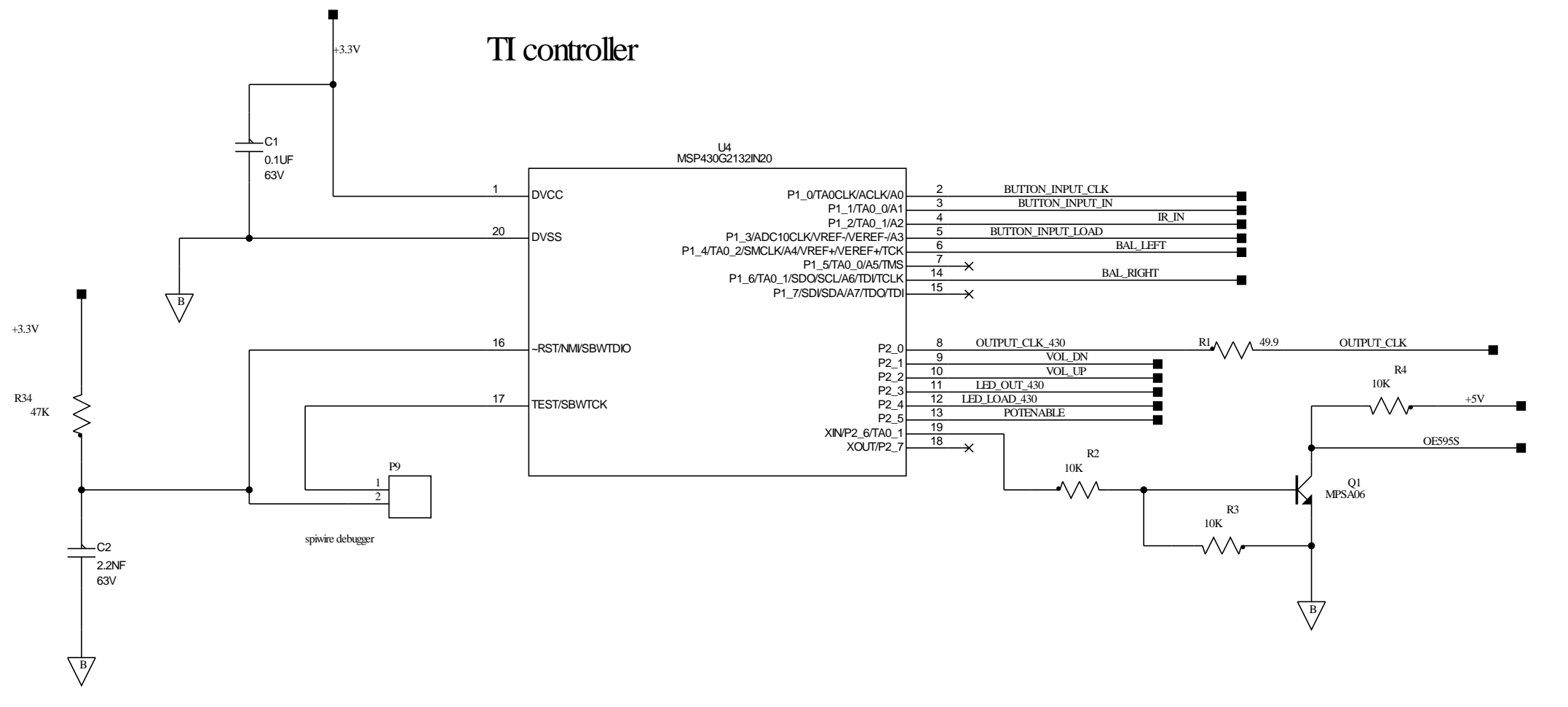


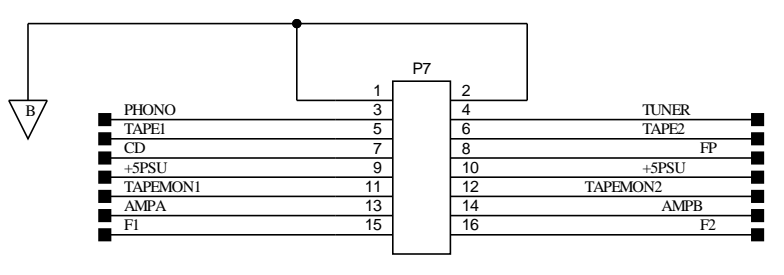
REVISION HISTORY			COMMENT
DATE	REV	ECO#	



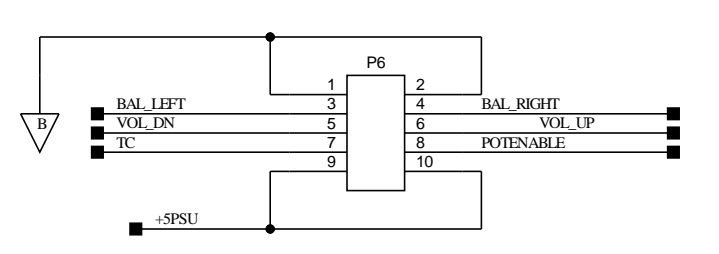
Mount in socket on back of board



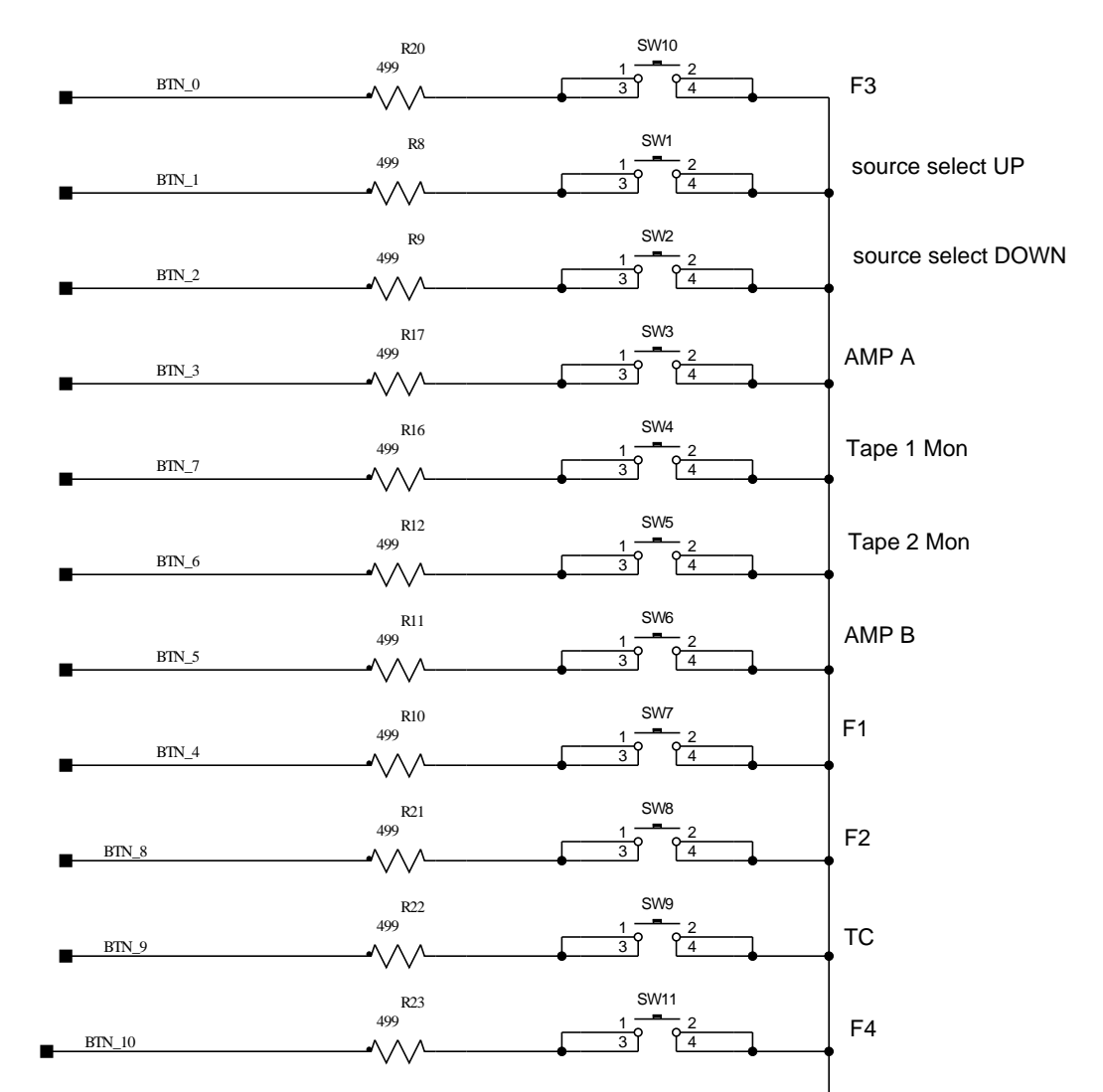
To Input selector



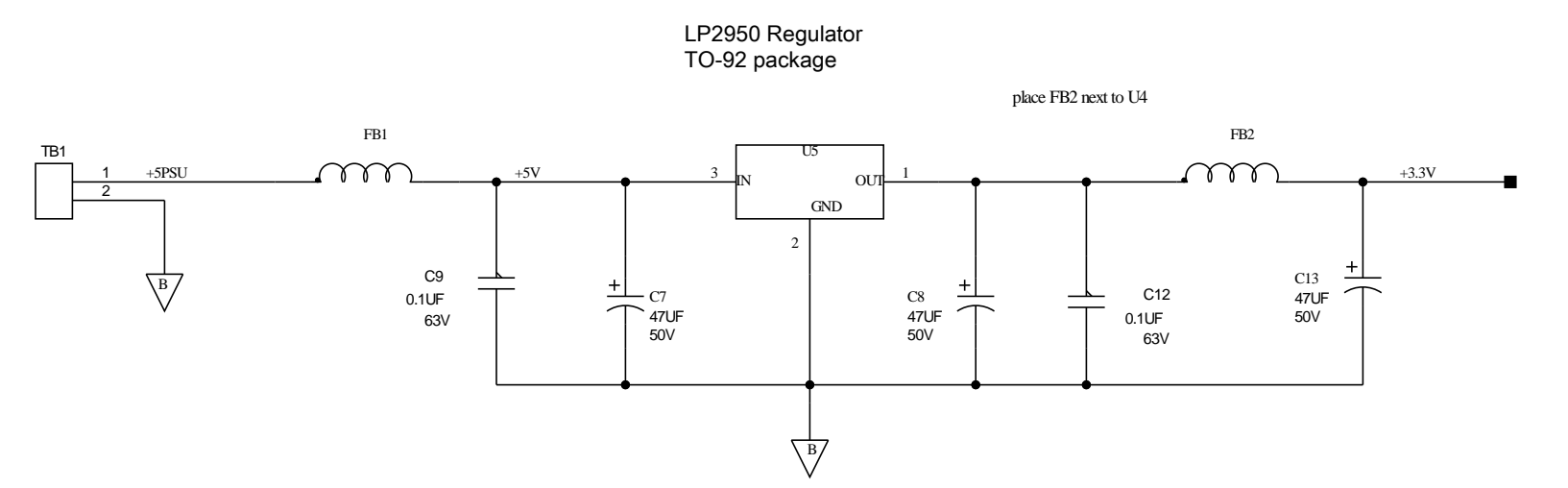
To Tone Volume Board



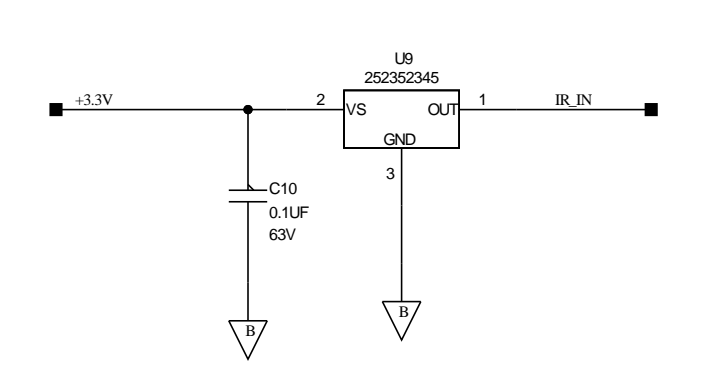
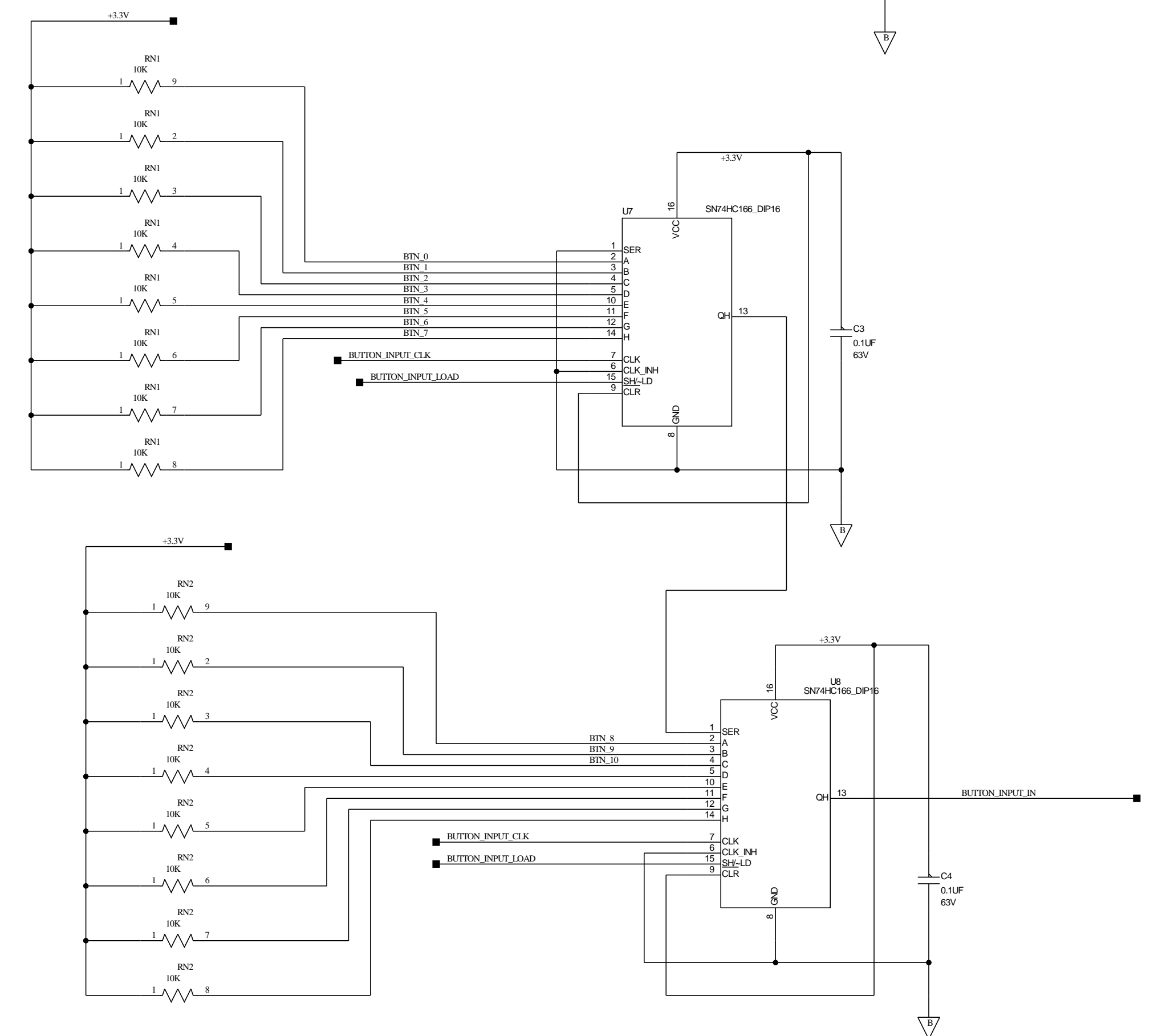
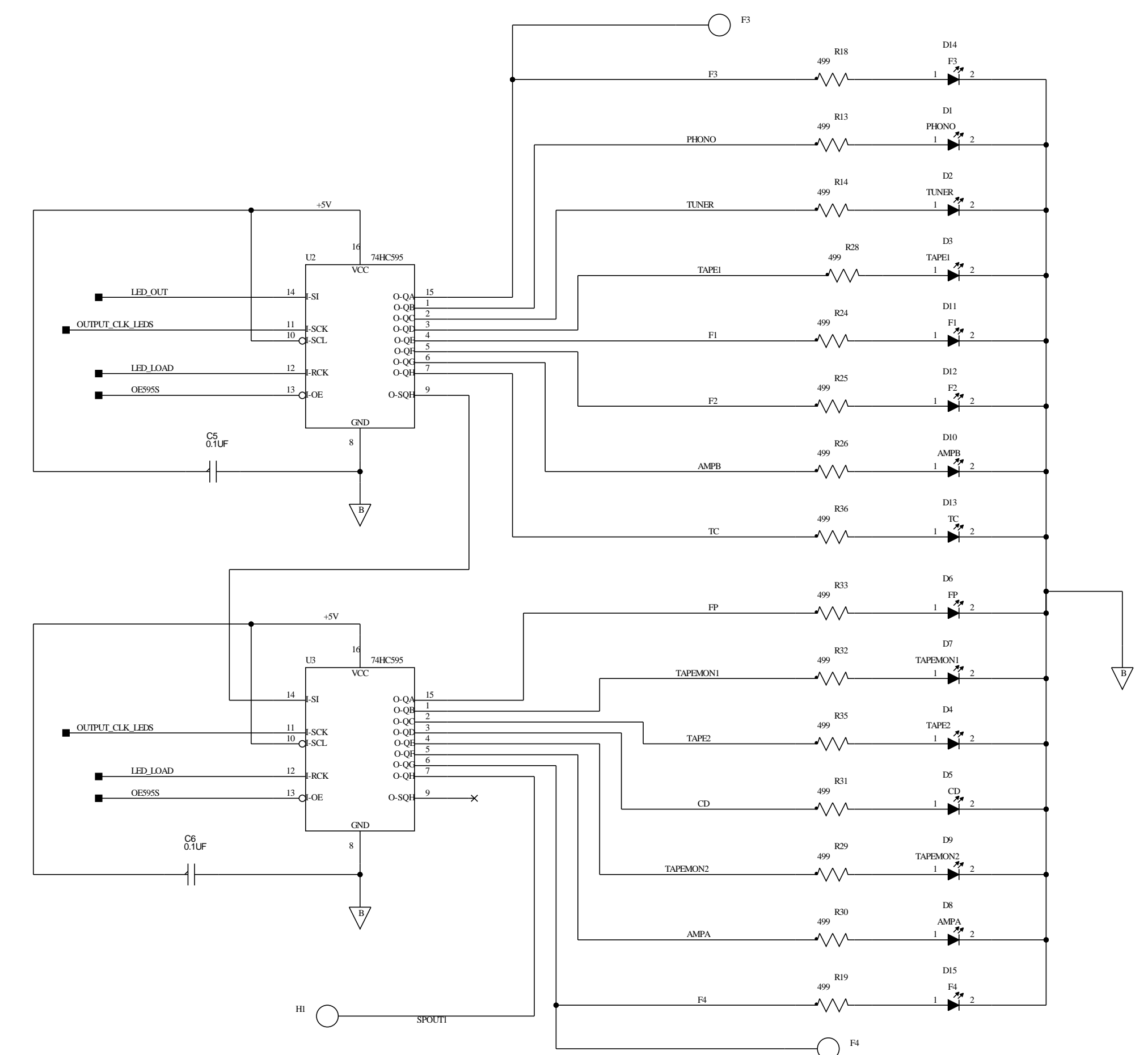
Buttons



+5v power input



LEDs



AKITIKA LLC 2732 TAMMERRACK LANE OWENS CROSSROADS, AL 35763

TITLE		CONTROLLER	
DRAWN BY:		STEVE KEELE	ENGINEER: DAN JOFFE
SIZE	DRAWING NUMBER	CONTROLLER_REVC2	
DATE:		7-22-2014_14:25	
SHEET		1 OF 1	